

horizontal batch transfer

≡ **BENEFITS**

Batch wafer transfer system  
FOUP to FOSB transfer and back  
Fast safety cycle

≡ **PERFORMANCE**

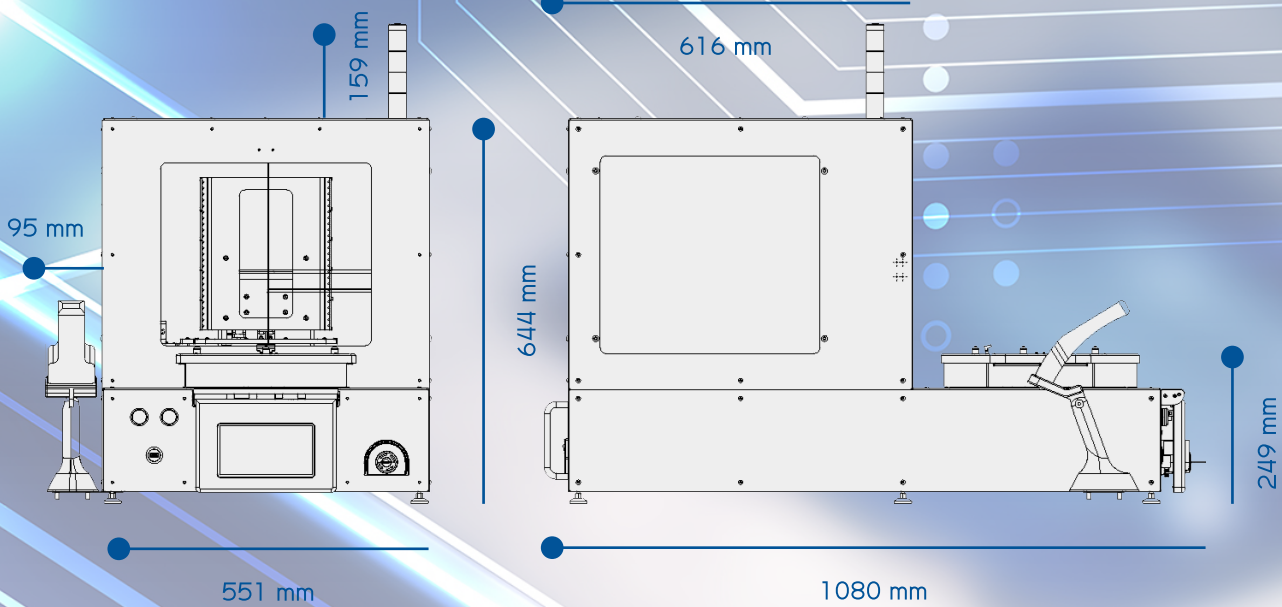
UPTIME : 99,8%  
MTBF : > 4000 hours  
MTTR : < 1 hour  
MTBA : 750 hours  
Cycle Time : < 1 mn

The GEMINI 300 is a semi-automatic batch wafer transfer system.

This tool can load and unload from FOUP to FOSB and back , a batch of wafers 12" of any substrate material.

The GEMINI 300 is customized to meet your different FOUP/FOSB and wafer specifications needs.

## ≡ DIMENSIONS



# GEMINI 300

## ≡ OPTIONS

- Automatic mapping system
- Rotative table 180°
- Bar code gun reader
- SECS / GEM Communication

## ≡ SOFTWARE

- Friendly and intuitive
- Adjustable parameters
- Historical data recorded

## ≡ SPECIFICATION

- CE Certification
- Semi standard
- Class 1

